

Table of contents

1	About this manual	3
1.1	Structure of the warnings	3
1.2	Symbols used	4
1.3	Signal words used	4
2	Intended use	5
3	General safety instructions	6
4	Packaging, transport and storage	7
4.1	Packaging	7
4.2	Transport	7
4.3	Storage	7
5	Design	8
6	Assembly and disassembly	9
6.1	Connecting a cable to a 63-A surface-mounting or panel-mounting socket outlet or plug	9
6.2	Disconnecting a cable from a 63-A surface-mounting or panel-mounting socket outlet or plug	12
7	Cleaning and care	15
8	Decommissioning and disposal	15

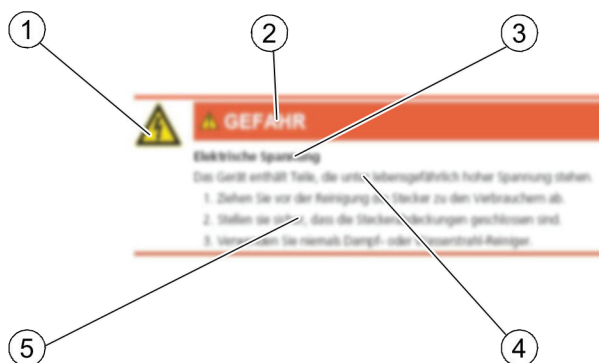
1 About this manual

This manual

- describes the assembly and disassembly of plug-in devices of the QUICK-CONNECT system of Bals Elektrotechnik GmbH & Co. KG
- is an integral part of the product and must be kept in safe custody during the product service life
- must be read carefully and understood before use and any work.




1.1 Structure of the warnings

The following picture illustrates the structure of a sample warning.



1	Hazard-specific symbol
2	Signal word
3	Type and source of the hazard
4	Possible consequences of failing to comply
5	Procedure for avoiding hazards

1.2 Symbols used

	General warning of a hazardous area
	Warning – dangerously high voltage
	Notice

1.3 Signal words used

All warnings in this manual are clearly highlighted. The following signal words are used for warnings:

DANGER	Warns of dangers which will lead to serious injuries or to death if the instructions are not followed.
WARNING	Warns of dangers that may lead to serious injuries or to death and/or cause considerable damage to property if the instructions are not followed.
CAUTION	Warns of dangers that may lead to reversible injuries and/or considerable damage to property if the instructions are not followed.
NOTICE	Warns of dangers that may lead to operational disruptions and/or considerable damage to property. Damage to the environment, too, may occur if the instructions are not followed.

2 Intended use

The QUICK-CONNECT system is used as a screwless quick-connect system based on the cage clamp principle in electrical plugs and sockets.

Plugs and sockets with QUICK-CONNECT are built for professional use. The installation and the fixed connection to the mains supply should be carried out only by trained and qualified experts.

Any use going beyond the intended use is considered to be improper. The manufacturer is not liable for damages resulting from improper use. Any such risk shall be borne solely by the user.

In case of unauthorised modifications or conversions, the CE conformity becomes null and void, and thus, also all claims for warranty. Modifications may lead to risks for life and limb as well as damage to the plugs and sockets or loads connected.

Factory-fitted labels and markings on the plugs and sockets should not be removed, modified or blurred.

The product meets either the protection degree IP44, IP54 or IP67 in accordance with DIN EN 60529 (VDE 0470-1), depending on the respective design. Each of these mean:

- Protection degree IP44:
 - Protected against solid bodies with a diameter beyond 1.0 mm, e.g. a wire
 - Protection against water sprayed from all sides
- Protection degree IP67:
 - Dust-proof
 - Complete protection against contact
 - Protection against temporary immersion.

Environment

The following operating temperatures apply for the safe operation of the product:

Standard version	Military version
-25 °C ... +40 °C	-33 °C ... +49 °C

3 General safety instructions



- Safe use is ensured only if this manual is followed completely.
- Before installation, commissioning or operation, read this manual thoroughly.
- The plugs and sockets must be installed, maintained and put into operation properly by qualified experts in accordance with the laws, ordinances and standards.
- Keep easily combustible and explosive materials away from the plugs and sockets.
- Handle the cables with care
 - by always pulling at the plug and not the cable when unplugging,
 - by preventing the cable from getting damaged mechanically,
 - by keeping intense heat away.
- Never use faulty products or products with dirty, scratched or damage contacts.
- Keep the contacts on the product clean.
- Avoid tripping hazards.

4 Packaging, transport and storage

4.1 Packaging



Packaging materials are valuable raw materials and can be reused. The packaging materials should therefore be brought to an appropriate recycling facility. If this is not possible, dispose of the packaging materials according to the locally applicable regulations.

4.2 Transport

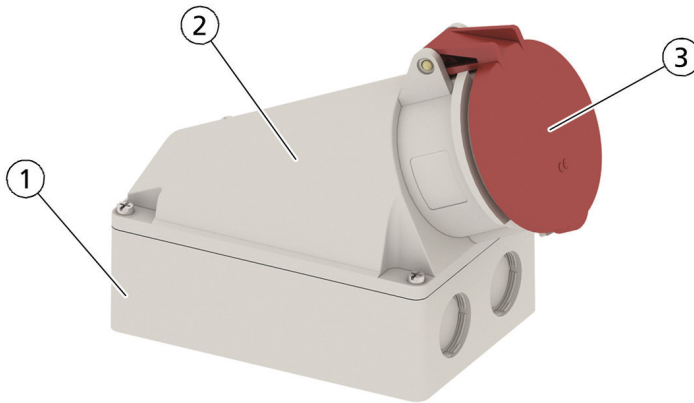
Check the delivery for completeness and integrity. If you identify transit damage or if the delivery is incomplete, notify your dealer or supplier immediately.

4.3 Storage

The product must be stored in clean condition and protected from dust and humidity. The original packaging is best suited for this purpose.

5 Design

Based on an example, the following figure illustrates the main components of a QUICK-CONNECT surface-mounting/panel-mounting socket outlet or a plug.



1	Bottom part of housing
2	Top part of housing
3	Folding cover

Conductor cross-sections

The following table displays the possible conductor cross-sections that can be connected to the socket outlets:

Design	Possible conductor cross-section	
63 A	Socket outlets:	6 mm ² ... 25 mm ²
	Appliance inlet:	6 mm ² ... 16 mm ²

Technical specifications

The technical specifications of the product depend on the design. You will find them in our catalogue or on our website <http://www.bals.com>.

6 Assembly and disassembly



DANGER

Danger to life by electrical voltage

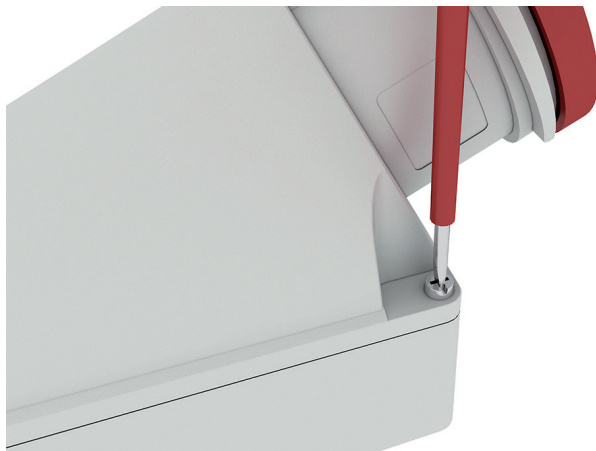
The supply cable may carry high electrical voltage that is fatal. Pay attention to the five safety rules of electricity:

1. De-energise
2. Secure the supply from being switched on again
3. Ensure the de-energised condition
4. Connect to earth and short circuit
5. Cover or cordon off adjacent live parts

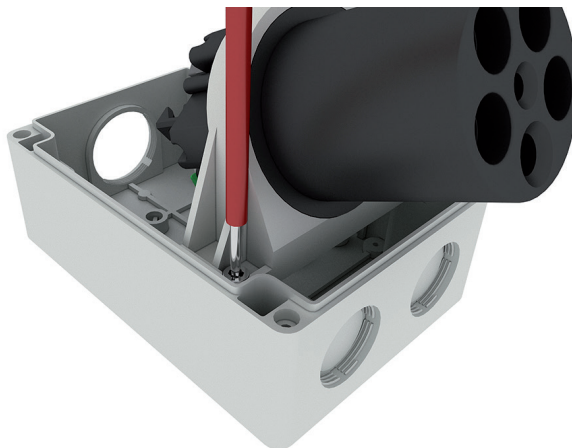
6.1 Connecting a cable to a 63-A surface-mounting or panel-mounting socket outlet or plug

Proceed as follows:

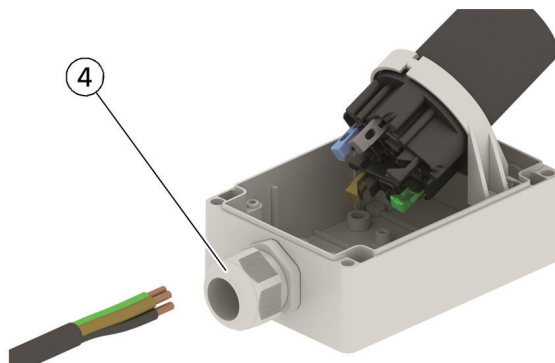
1. Make sure that the cable is de-energised.
2. Strip the cable to the required length.
3. Remove the insulation from the individual conductors up to a length of 29 mm. Twist the multi-strand copper conductors slightly by hand. Conductor end sleeves are not necessary but may be used.
 - ⇒ For surface mounting socket outlets or surface-mounting appliance inlets follow the explanation starting from point 4.
 - ⇒ For panel mounting socket outlets or panel mounting appliance inlets, follow the explanation starting from point 6.
4. Loosen the two housing screws in order to open the housing.



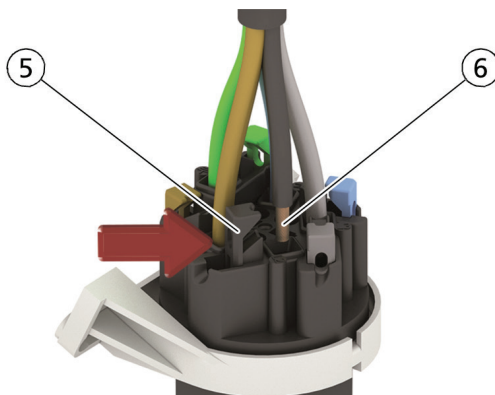
5. Fix the bottom part of the housing to the wall with the help of the fixing material suitable for the application.
6. Loosen the contact carrier from the bottom of the housing



7. Push the cable through the cable gland (4) into the housing.



8. The terminals are open at the time of delivery. Guide the bare individual conductors into the opening near the contact slide (6) and press the contact slide (5) in the direction of the arrow to the side. The contact slide get latched and fixes the individual conductor. Take care to see that only the bare individual conductor (without insulation) is clamped. Pay attention to the marking of the terminals and ensure that the assignment of the individual conductors to the terminals is correct.

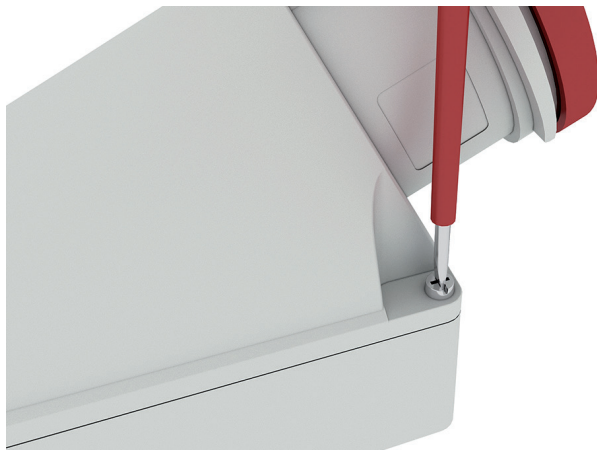


9. Check whether the individual conductors are seated tightly by pulling them lightly. If this is not the case, open the terminal and repeat the previous step.
10. Fix the contact carrier again in the bottom part of the housing.
11. Tighten the cable gland.

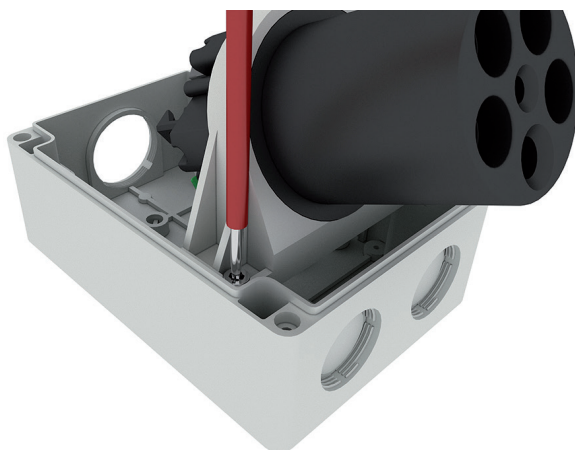
12. Fix the housing with the panel mounting appliance (panel mounting variants) or fix the top part of the housing with screws to the bottom part of the housing (surface-mounting variants). **NOTICE!** With the panel mounting variants, make sure that you insert the gasket, and with the surface-mounting variants, that the insert with the connections is placed correctly into the bottom part of the housing!



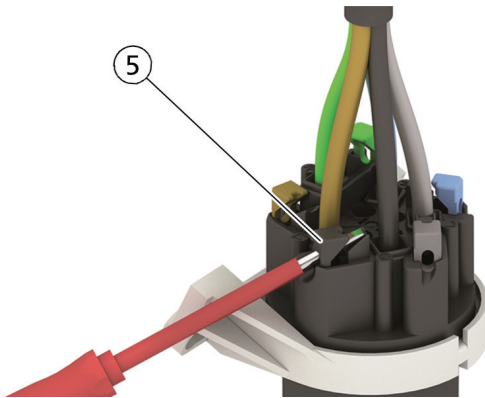
- 6.2 Disconnecting a cable from a 63-A surface-mounting or panel-mounting socket outlet or plug
 1. Make sure that the cable is de-energised.
 2. Loosen the two housing screws in order to open the housing.



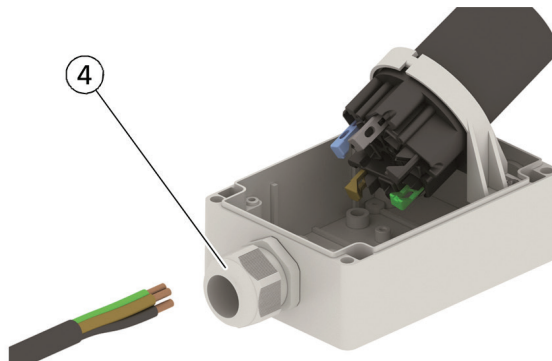
3. Loosen the cable gland and remove the contact carrier from the bottom part of the housing.



4. Open the contact slide (5) by forcing it with a screwdriver and pull the individual conductors from the terminals.



5. For surface mounting socket outlets and plugs: Pull out the cable from the housing and out of the cable gland (4).



6. Fix the contact carrier again in the bottom part of the housing.
7. Fix the housing with the panel mounting appliance (panel mounting variants) or fix the top part of the housing with screws to the bottom part of the housing (surface-mounting variants).

7 Cleaning and care

It is recommended to clean the device as required. Use a dry cloth to clean the device. Use a wet cloth if the device is very dirty.



DANGER

Electrical voltage

The device contains parts that carry hazardous voltage that may be fatal.

1. Pull out the plugs to the loads before cleaning them.
2. Make sure that the plug covers are closed.
3. Never use steam or water jet cleaners.



NOTICE

Damage to the plastic parts.

Corrosive cleaning agents may attack or destroy the plastic parts.

Use only a cloth moistened with water for cleaning.

8 Decommissioning and disposal



Send the worn-out product for recycling or for proper disposal. Always make sure to observe and follow the local regulations.

The product should not be disposed of in household waste. Environmental damage and risk to personal health are avoided with proper disposal.

